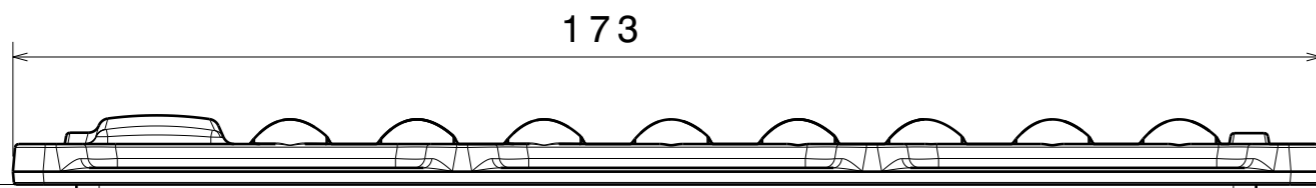
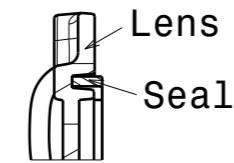
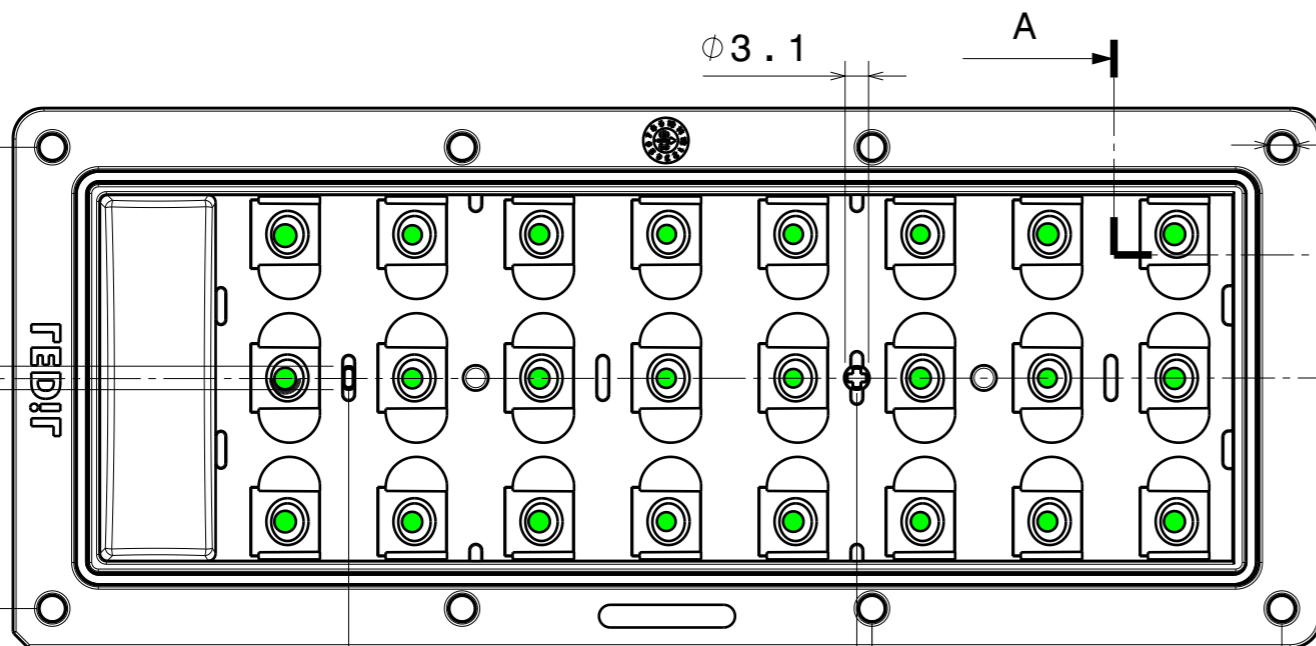
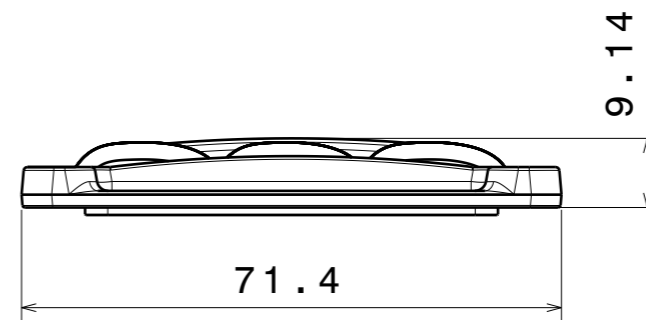


Light pattern direction



Heatsink level



| PART | TYPE | MATERIAL | COLOR / COATING |
|--------------------------|------|----------|-----------------|
| C18314_STRADA-IP-24-T3-M | Lens | PMMA | clear |
| C17756_STRADA-IP-24-Seal | Seal | Silicone | |

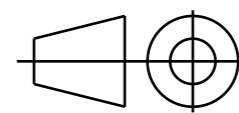
MECHANICAL DRAWING

PRODUCT
STRADA_IP-24



Plastic moulding general tolerances according to DIN 16901-130 and applies if not otherwise shown in the drawing. Silicone moulding general tolerances according to ISO 3302-1 Class M3 and applies if not otherwise shown in the drawing.

FIRST ANGLE PROJECTION:



This drawing is the property of LEDiL Oy. It may not be copied or otherwise distributed without prior written permission from LEDiL Oy.

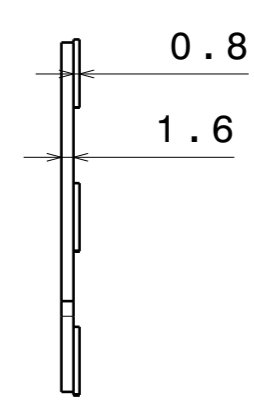
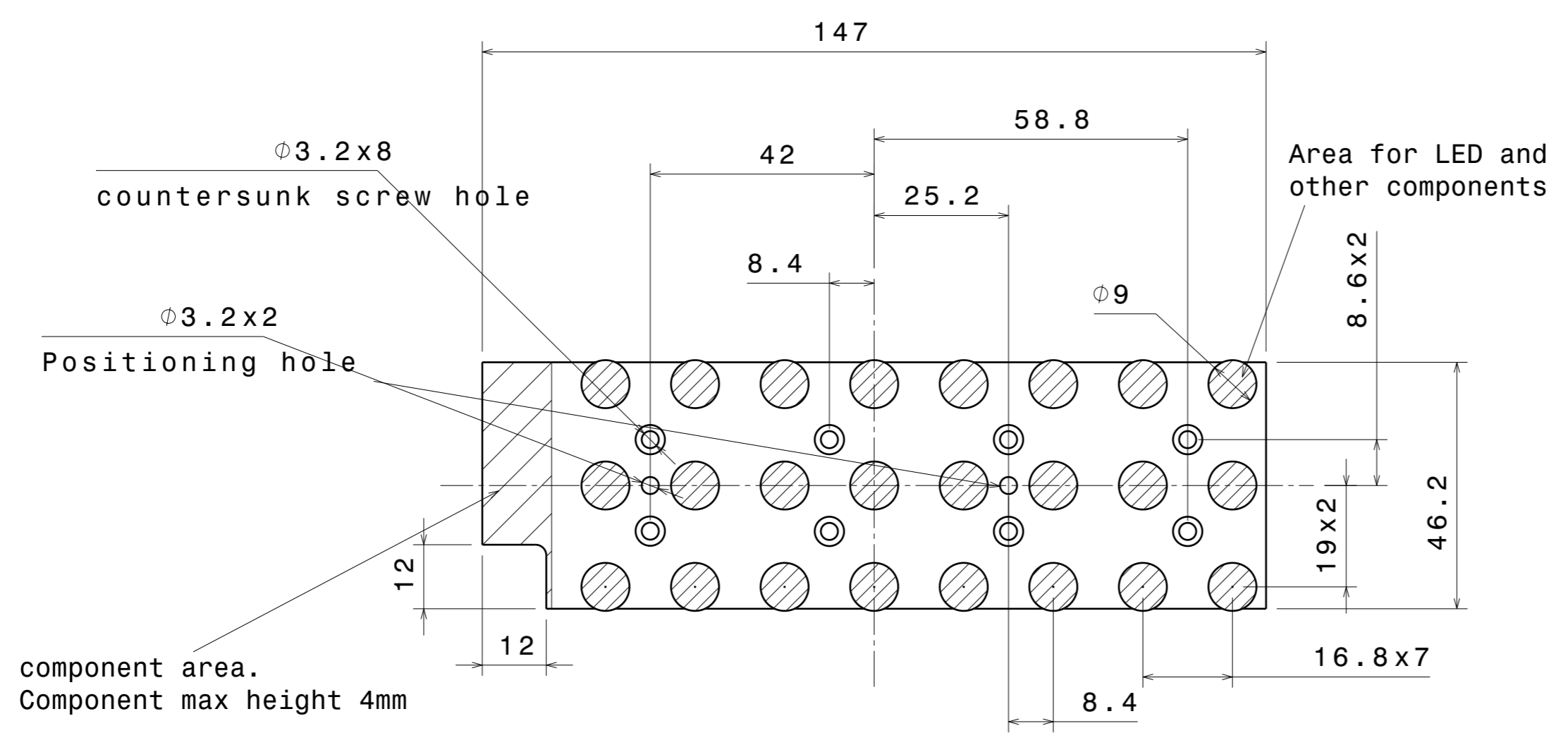
| | | | | | |
|-------|-----|--------|---|----|-----------|
| SCALE | 1:1 | WEIGHT | - | A3 | SHEET 1/1 |
|-------|-----|--------|---|----|-----------|

Notes

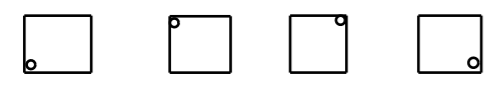
- PCB or heatsink level.
- LED location
- Ensure LED fitting from a product specific 3D model available from www.ledil.com
- For more details about installation please see LEDiL Installation Guide on www.ledil.com

H G F E D C B A

| REV | DATE | DESCRIPTION | Done by | Checked by |
|-----|------------|--------------------|---------|------------|
| 001 | | 1st Model | Mver | |
| 002 | 28.10.2020 | PCB length reduced | KH | |



It is recommended to rotate LED from position to position.



| PART | TYPE | MATERIAL | COLOR / COATING |
|---------|------|----------|-----------------|
| PCB_HB_ | | | |

| | | |
|--|-----------------------------|---|
| PRODUCTION DRAWING | | LEDiL[®] |
| FAMILY STRADA_IP-24 | | |
| Plastic moulding general tolerances according to DIN 16901-130 and applies if not otherwise shown in the drawing. Silicone moulding general tolerances according to ISO 3302-1:2014(E)-M2 and applies if not otherwise shown in the drawing. | FIRST ANGLE PROJECTION: | This drawing is the property of LEDiL Oy. It may not be copied or otherwise distributed without prior written permission from LEDiL Oy. |
| SCALE 1:1 | WEIGHT - | A3 SHEET 1/1 |

H G B A