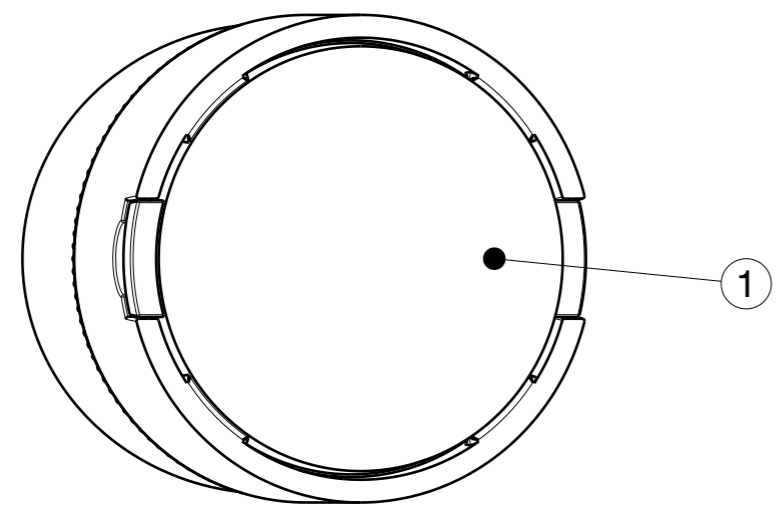
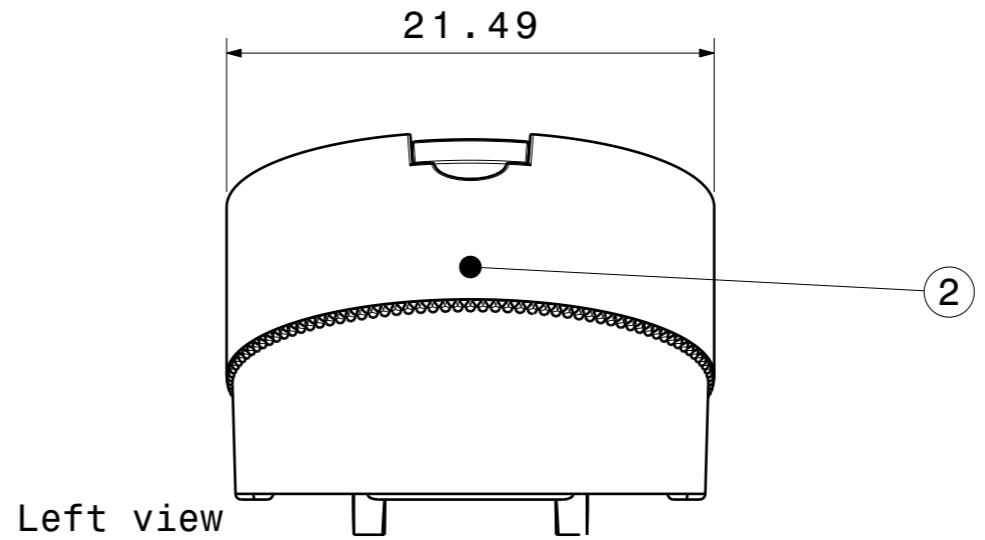
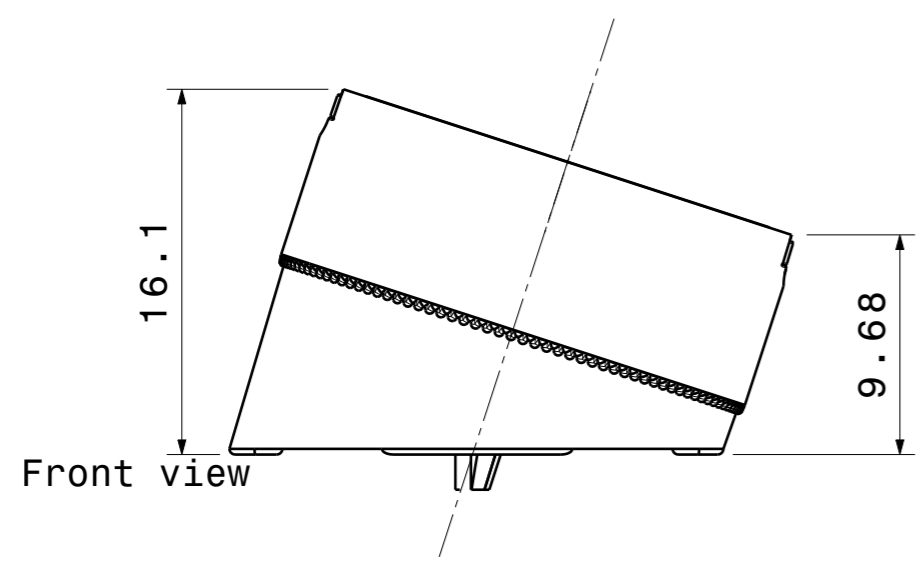
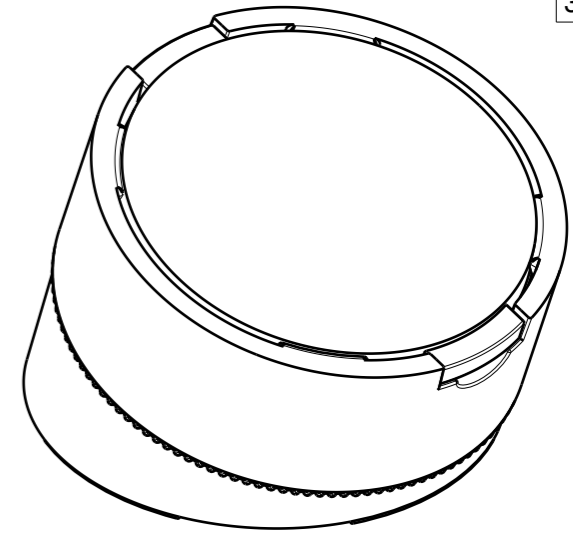


Isometric view



INDEX	PART	TYPE	MATERIAL	COLOR / COATING
1	F13327_BILLIE-A	LENS	PMMA	CLEAR
2	F13328_BILLIE-HLD-PIN-TAPE	HLD	PC	WHITE

MECHANICAL DRAWING		LEDiL [®]
PRODUCT BILLIE-A		
Plastic moulding general tolerances according to DIN 16901-130 and applies if not otherwise shown in the drawing. Silicone moulding general tolerances according to ISO 3302-1 Class M3 and applies if not otherwise shown in the drawing.	FIRST ANGLE PROJECTION: 	This drawing is the property of LEDiL Oy. It may not be copied or otherwise distributed without prior written permission from LEDiL Oy.
SCALE 3:1	WEIGHT -	A3 SHEET 1/1

Notes

Ensure LED fitting from a product specific 3D model available from www.ledil.com

For more details about installation please see LEDiL Installation Guide on www.ledil.com