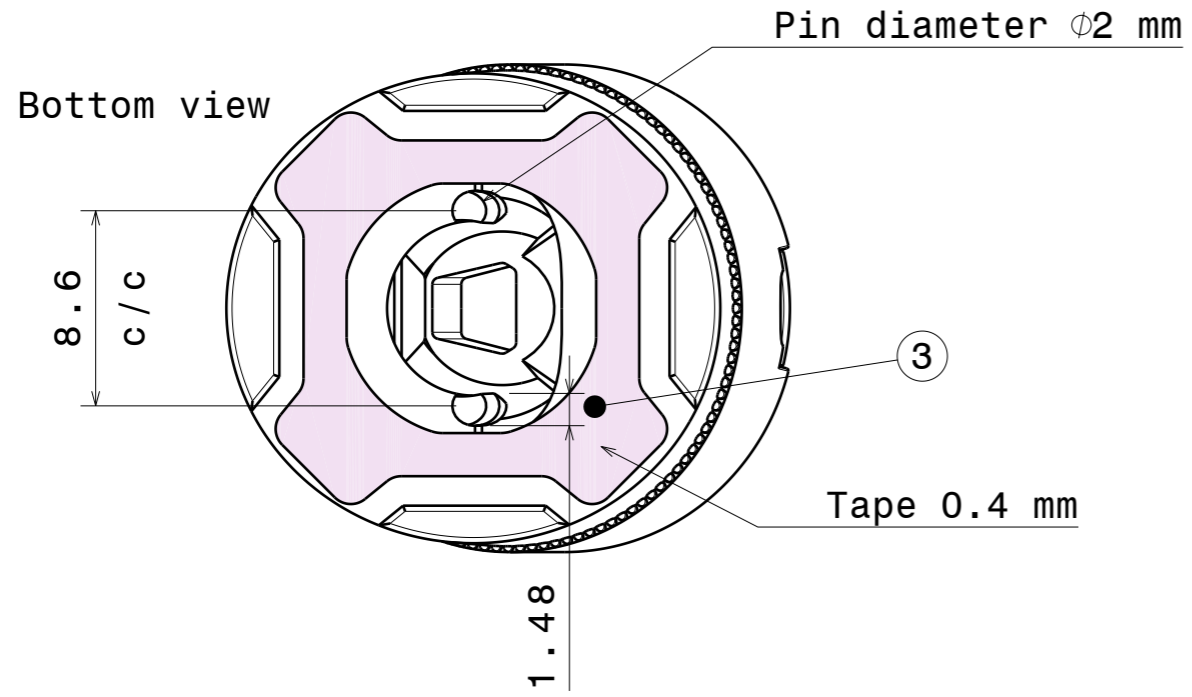
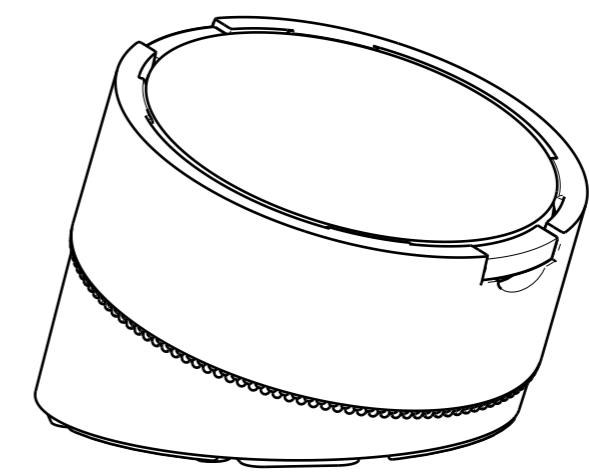


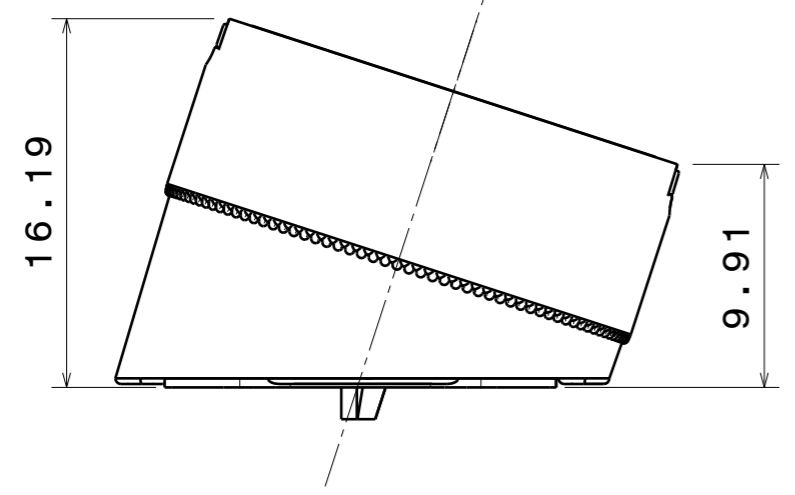
H G F E D C B A



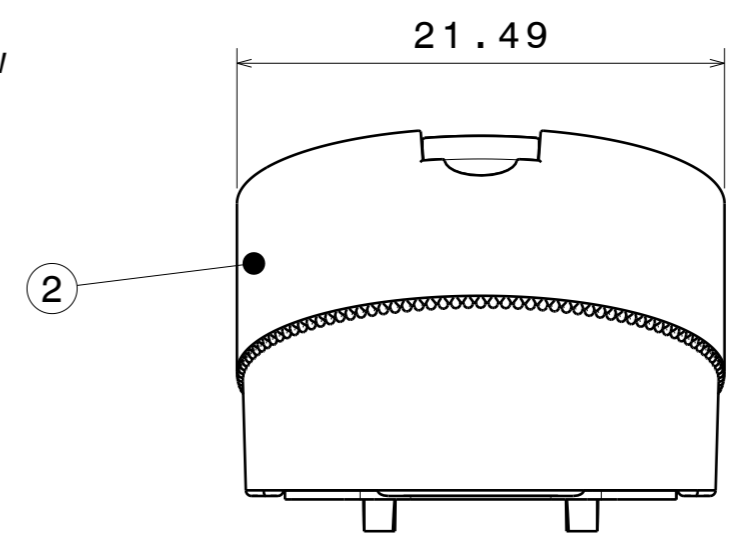
Isometric view



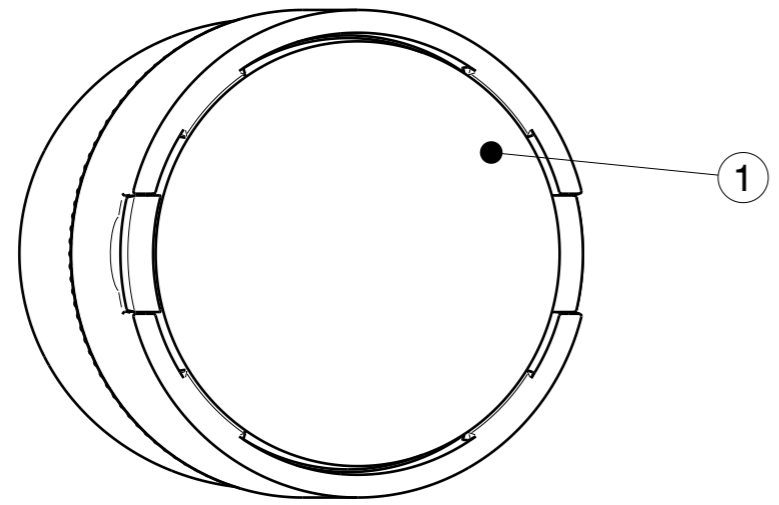
Front view



Left view



Top view



INDEX	PART NO	DESCRIPTION	MATERIAL
1	F13327	BILLIE-A	PMMA
1	F14124	BILLIE-A-PC	PC
2	F13328	BILLIE-HLD-PIN-TAPE	PC
3	C11269	HEIDI-TAPE	Acrylic foam

Tolerances if not otherwise shown  
According to DIN ISO 2768-1  
Linear measures:  
Up to 30mm class M, otherwise class C.  
According to DIN ISO 2768-2  
Form and position: class L

**LEDiL** LediL Oy  
Joensuunkatu 13  
FIN 24240 SALO  
Finland

THIRD ANGLE PROJECTION:

DRAWING TITLE  
**BILLIE-A datasheet**

This drawing is the property of LEDiL Oy. It may not be reproduced, copied or communicated without a written agreement with LEDiL Oy."

SIZE PART NUMBER  
**A3** -

SCALE 3:1 WEIGHT g SHEET 1/1

H G B A