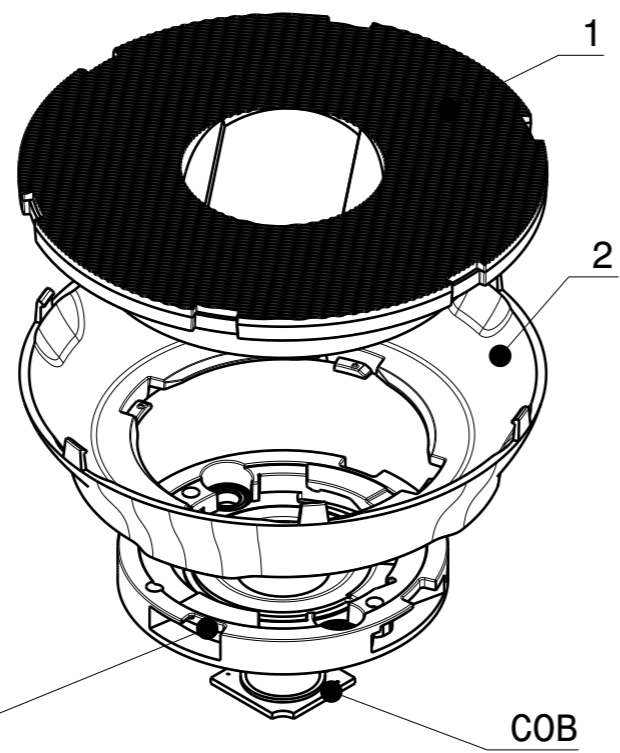
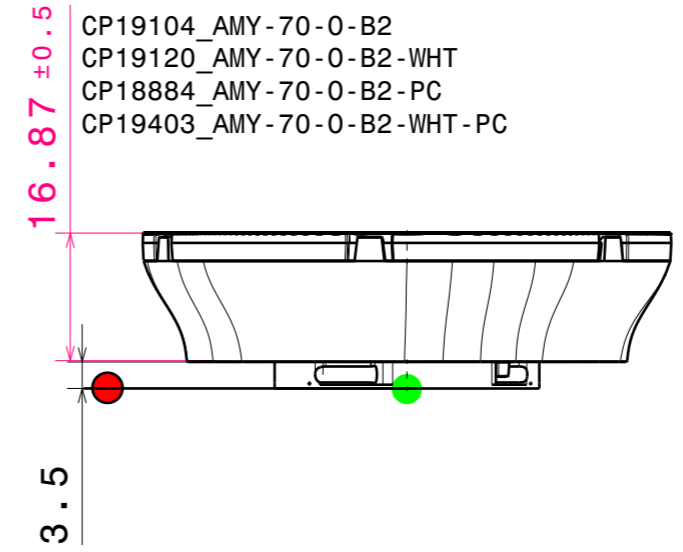


- CP19044_ AMY-70-0-C2
- CP19111_ AMY-70-0-C2-WHT
- CP18877_ AMY-70-0-C2-PC
- CP19396_ AMY-70-0-C2-WHT-PC

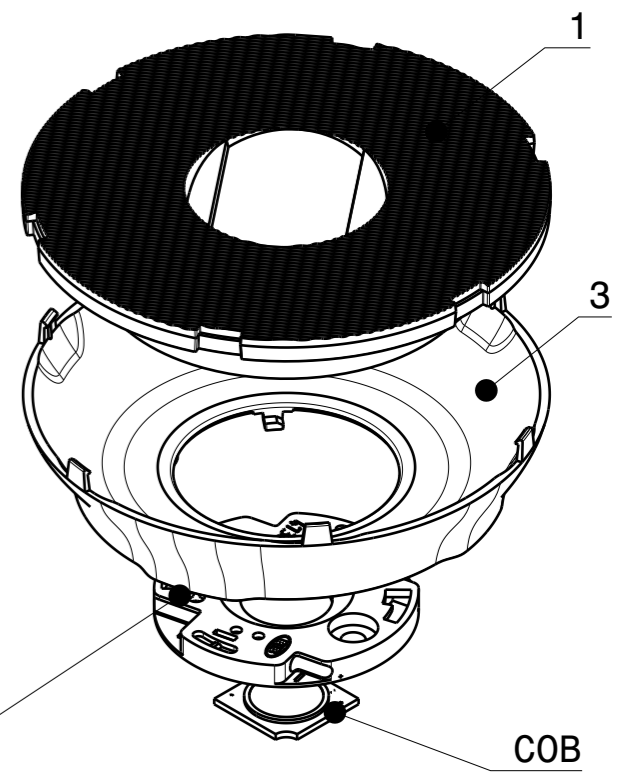


HEKLA Connector

COB

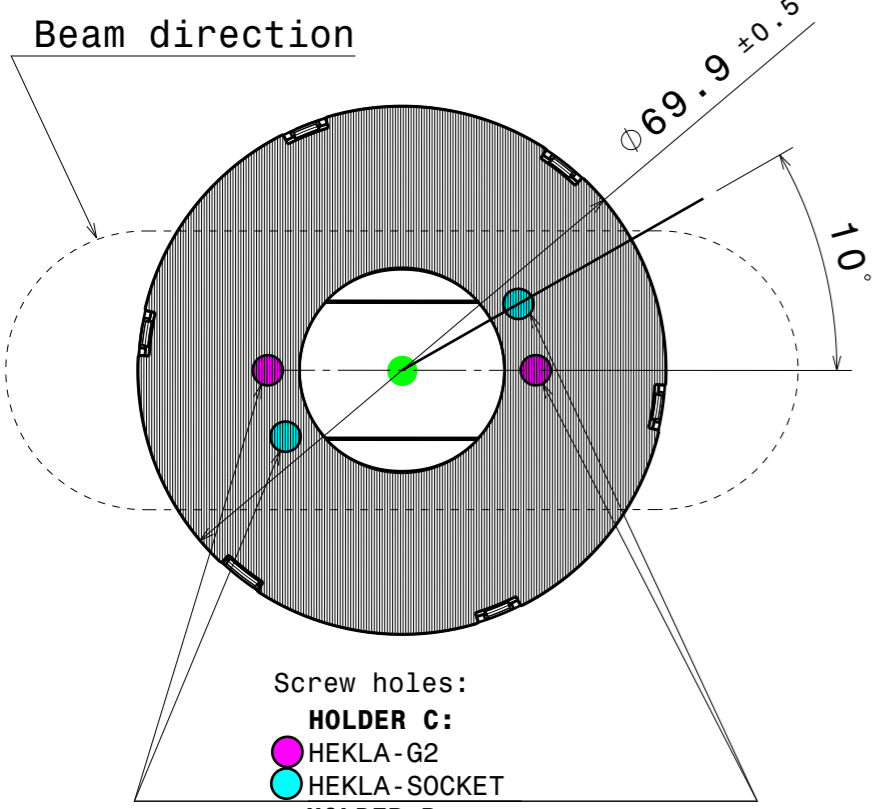


- CP19104_ AMY-70-0-B2
- CP19120_ AMY-70-0-B2-WHT
- CP18884_ AMY-70-0-B2-PC
- CP19403_ AMY-70-0-B2-WHT-PC



Connector BJB / B+W 35mm-interface

COB



- Screw holes:
- HOLDER C:**
 - HEKLA-G2
 - HEKLA-SOCKET
 - HOLDER B:**
 - Screw hole positions to be checked per socket/connector

Top view
Scale: 1:1

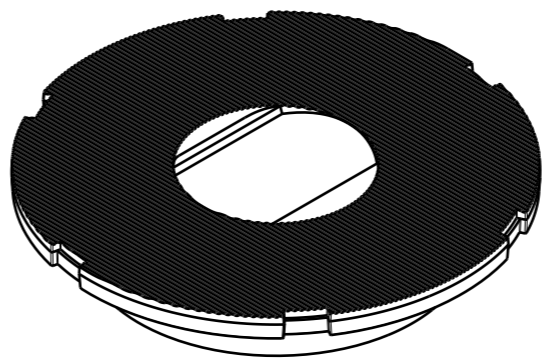
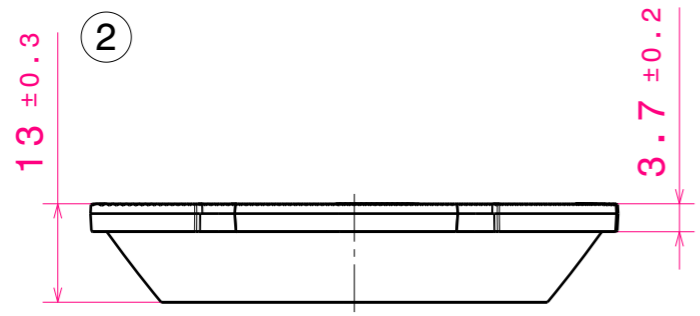
INDEX	PART	TYPE	QTY	MATERIAL	COLOUR/COATING	ASSEMBLY CODES
1	AMY-70-0	LENS	1			
	C18466_ AMY-70-0			PMMA	CLEAR	
	C18870_ AMY-70-0-PC			PC	CLEAR	
2	HOLDER C	HOLDER 1				
	C19021_ AMY-70-HLD2-C			PC	BLACK	CP19044_ AMY-70-0-C2 CP18877_ AMY-70-0-C2-PC
	C19023_ AMY-70-HLD2-C-WHT			PC	WHITE	CP19111_ AMY-70-0-C2-WHT CP19396_ AMY-70-0-C2-WHT-PC
3	HOLDER B					
	C19022_ AMY-70-HLD2-B			PC	BLACK	CP19104_ AMY-70-0-B2 CP18884_ AMY-70-0-B2-PC
	C19024_ AMY-70-HLD2-B-WHT			PC	WHITE	CP19120_ AMY-70-0-B2-WHT CP19403_ AMY-70-0-B2-WHT-PC

MECHANICAL DRAWING		LEDiL
PRODUCT AMY-70-0		
Plastic moulding general tolerances according to DIN 16901-130 and applies if not otherwise shown in the drawing. Silicone moulding general tolerances according to ISO 3302-1 Class M3 and applies if not otherwise shown in the drawing.		FIRST ANGLE PROJECTION:
SCALE	1:1	
WEIGHT -		A3 SHEET 1/1

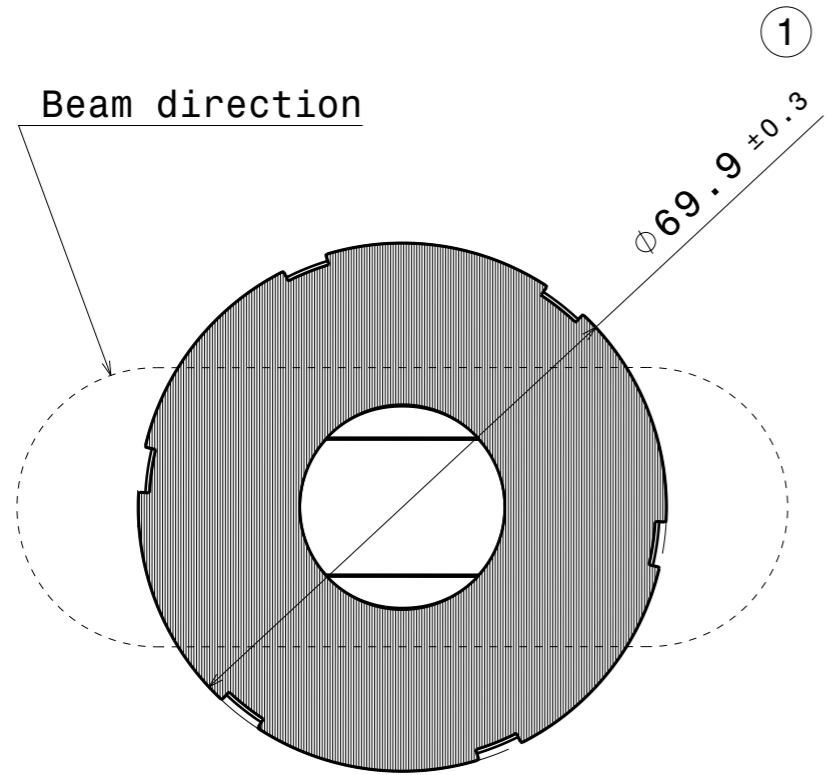
- Notes**
- PCB or heatsink level.
 - LED location
 - Ensure LED fitting from a product specific 3D model available from www.ledil.com
 - For more details about installation please see LEDiL Installation Guide on www.ledil.com

H G F E D C B A

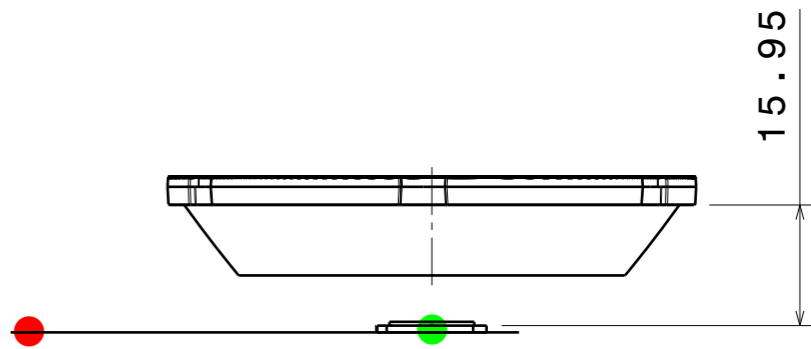
4



3



15.95



2

2

PART	TYPE	MATERIAL	COLOR / COATING
C18466_AMY-70-0	LENS	PMMA	CLEAR
C18870_AMY-70-0-PC	LENS	PC	CLEAR

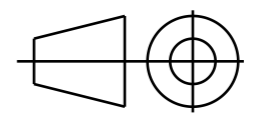
MECHANICAL DRAWING

PRODUCT **AMY-70-0**



Plastic moulding general tolerances according to DIN 16901-130 and applies if not otherwise shown in the drawing. Silicone moulding general tolerances according to ISO 3302-1 Class M3 and applies if not otherwise shown in the drawing.

FIRST ANGLE PROJECTION:



This drawing is the property of LEDiL Oy. It may not be copied or otherwise distributed without prior written permission from LEDiL Oy.

SCALE	1:1	WEIGHT	-	A3	SHEET 1/1
-------	-----	--------	---	----	-----------

1

1

Notes

	PCB or heatsink level.
	LED location
	Ensure LED fitting from a product specific 3D model available from www.ledil.com
	For more details about installation please see LEDiL Installation Guide on www.ledil.com

H G F E D C B A